

NPT Active CP 2 Door Refrigerated Counter with worktop (R290)

ITEM # _____

MODEL # _____

NAME # _____

SIS # _____

AIA # _____



111111 (ZK2HBAA)

2-door refrigerated
counter, -2+10°C, AISI 304
(R290)

Short Form Specification

Item No. _____

AISI 304 stainless steel panels, AISI 430 bottom panel, galvanized back panel. Worktop thickness 50mm. N. 2 full doors. Built-in refrigeration unit. Operating temperature: -2+10°C. R290 gas in refrigeration circuit. Supplied with 1 grid for each door compartment

Main Features

- Preservation performances and temperature uniformity within the cell guaranteed at 5-HEAVY DUTY (40°C) working conditions according to EN16825:2016 test protocol.
- Adjustable temperature range from -2 °C to +10 °C to suit meat, fish and dairy storage requirements.
- Equipped with forced air circulation system for rapid cooling and temperature distribution within the cell.
- 0mm clearance installation space: tower configuration cooling unit guarantee performance with frontal ventilation only; this unique solution allows installation against the wall or side by side with other appliances, even on the cooling unit side to maximize the use of kitchen space.
- Combination of doors and drawers to suit any configuration needed, with the possibility to change the configuration on site. Right cooling unit available on request.
- Frontal and easy access to all components in the cooling unit.
- Anti-tilt runners accept GN 1/1 containers.
- Self closing stainless steel doors (< 90°).
- Certified safety CE requirements.
- Prearranged to fit RS485 port to facilitate connection to a remote computer and integrated HACCP systems.
- Digital white-digit display with internal temperature display and setting, manual activation of defrost cycle and turbo frost cycle (to rapidly cool warm loads).
- Tropicalized unit.

Construction

- 2 compartments with 2 doors.
- Worktop in AISI 304 Stainless steel with a 50 mm profile.
- If needed, working top can be removed for easier handling during installation (in case of narrow doors).
- Anti-drip profile on stainless steel worktop edge.
- Interior base with rounded corners, pressed from a single sheet.
- Mounted on stainless steel feet to give 150 mm (-5/+50 mm) clearance for ease of cleaning the floor.
- Ease of cleaning and high hygiene standards thanks to the rounded internal corners, the easily removable runners, grids and air conveyors.
- Internal structure with 15 charging positions (3 cm pitch) available to host GN 1/1 grids, ensuring higher net capacity and a greater storage space.
- Internal and external doors, front and side panels and removable worktop in AISI 304 Stainless steel.
- External bottom panel in stainless steel.
- Built-in refrigeration unit.
- Delivered with UK plug.
- External back panel in galvanized steel.

APPROVAL: _____

- Developed and produced in ISO 9001 and ISO 14001 certified factory.
- Fault code display.
- Extractable cooling unit to facilitate maintenance.

Sustainability

- Top energy efficiency (class A) and granted uniformity even at extreme working conditions (class 5; 40°C and 40% humidity): unbeatable performance, certified by energy test protocol EN16825:2016.
- Removable triple-chamber balloon magnetic gasket to improve insulation and reduce energy consumption and ease of cleaning.
- Fitted with 90 mm thickness of cyclopentane insulation for best insulating performance (thermal conductivity: 0,020 W/m²*K) and lowest environmental impact (GWP=3).
- ACTIVE DEFROST - fully automatic defrost starts only when ice is actually building-up in the evaporator and adapts the defrosting duration to guarantee perfect ice removal while optimizing energy efficiency consumption.
- CFC and HCFC free, highly ecological refrigerant type: R290 (ecological gas in foam: cyclopentane). Hydrocarbon refrigerant gas R290 for the lowest environmental impact (GWP=3), to reduce green house and ozone depletion effects.
- Hot gas automatic evaporation of defrost water.

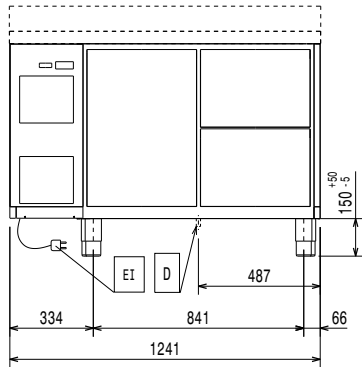
Included Accessories

- 2 of Kit 1/1 grey rilsan grid and 2 side runners for refrigerated counters PNC 881109

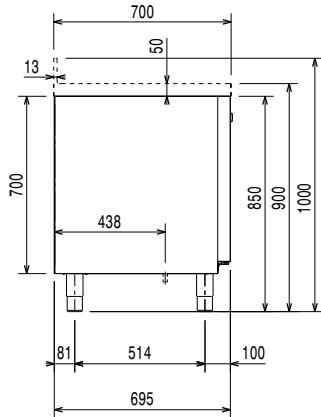
Optional Accessories

- | | | |
|--|------------|--------------------------|
| • 2x1/2 drawer kit for refrigerated counters | PNC 881079 | <input type="checkbox"/> |
| • 3x1/3 drawer kit for refrigerated counters | PNC 881080 | <input type="checkbox"/> |
| • 1/3 and 2/3 bottle drawer kit for refrigerated counters | PNC 881081 | <input type="checkbox"/> |
| • 1/1 GN grey rilsan grid for refrigerated counters | PNC 881107 | <input type="checkbox"/> |
| • 2 side runners for 1/1 GN refrigerated counters | PNC 881108 | <input type="checkbox"/> |
| • Kit 1/1 grey rilsan grid and 2 side runners for refrigerated counters | PNC 881109 | <input type="checkbox"/> |
| • 1/1 GN plastic container, H=65 mm | PNC 881110 | <input type="checkbox"/> |
| • 1/1 GN plastic container, H=100 mm | PNC 881111 | <input type="checkbox"/> |
| • 1/1 GN plastic container, H=150 mm | PNC 881112 | <input type="checkbox"/> |
| • Kit 4 wheels, H=100 mm (2 with brakes) for refrigerated counters | PNC 881191 | <input type="checkbox"/> |
| • Kit 4 wheels, H=150 mm (2 with brakes) for 2&3 compartment refrigerated counters | PNC 881193 | <input type="checkbox"/> |
| • Lock for refrigerator/freezer counters with 2 compartments - h700mm | PNC 881242 | <input type="checkbox"/> |
| • IoT module for refrigerated cabinets and counters | PNC 881298 | <input type="checkbox"/> |

Front

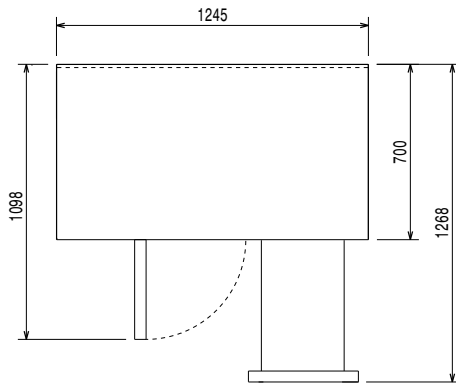


Side



EI = Electrical inlet (power)

Top



Electric

Supply voltage:	220-240 V/1 ph/50 Hz
Electrical power, max:	0.22 kW
Defrost Power:	0.2 kW
Plug type:	CE-SCHUKO

Key Information:

Net Volume:	180.8 lt
External dimensions, Width:	1245 mm
External dimensions, Depth:	700 mm
External dimensions, Height:	900 mm
Internal Dimensions, Width:	798 mm
Internal Dimensions, Depth:	560 mm
Internal Dimensions, Height:	550 mm
Net weight:	94 kg
Shipping volume:	1.13 m ³
Depth with doors open:	1110 mm
Height adjustment:	-5/50 mm
Gross capacity:	290 lt

Refrigeration Data

Control type:	Digital
Refrigeration power at evaporation temperature:	-10 °C
Min/Max internal humidity:	40/85
Operating temperature min.:	-2 °C
Operating temperature max.:	10 °C
Compressor power:	0.25 hp
Operating mode:	Ventilated

Sustainability

Current consumption:	1.6 Amps
Refrigerant type:	R290
GWP Index:	3
Refrigeration power:	358 W
Refrigerant weight (unit 1):	45 g
Energy Class (EU Reg. 2015/1094):	A
Yearly and daily energy consumption (EU Reg. 2015/1094):	482kWh/year - 1.32kWh/24h
Climate class (EU Reg. 2015/1094):	Heavy Duty (5)
Energy Efficiency Index-EEI (EU Reg. 2015/1094):	21,40

EU energy labelling from 1st July 2016

The European energy labelling scheme for professional refrigerators and freezers is based on requirements setting Minimum Energy Performance standards for commercial refrigeration cabinets sold within the EU. These requirements are designed to drive energy efficiency and environmentally friendly approach for professionals. The European energy labelling scheme will apply to all manufacturers and importers who sell and market products within the EU and it is mandatory across Europe. Important: all products which consume energy above the minimum level will not be able to be sold within the EU from 1 July 2016.

SI 2020 No. 1528.

Important: all products which consume energy above the minimum level will not be able to be sold within the EU from 1 July 2016.

